

4

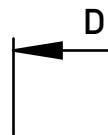
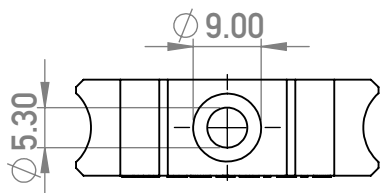
3

2

1

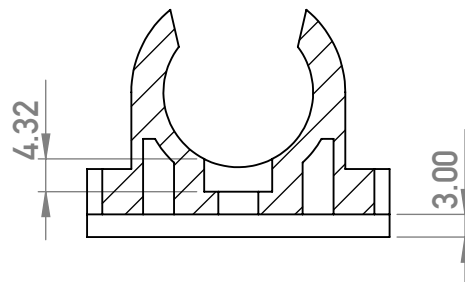
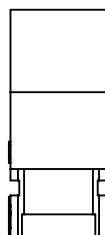
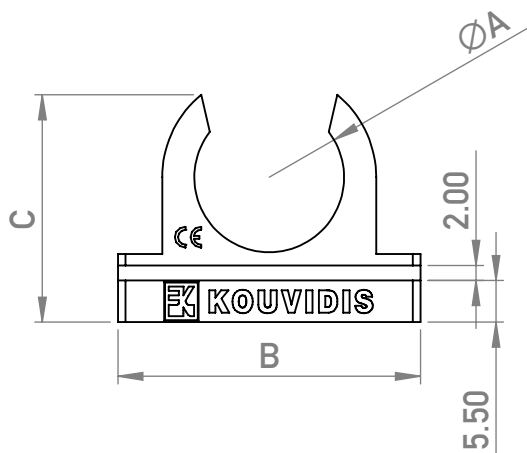
F

F



E

E



SECTION D-D

D

D



C

C

Prt.Nr.	Ø	A	B	C
4045016	16	15.8	35	25.5
4045020	20	19.8	40	30
4045025	25	24.8	46	34.75
4045032	32	31.8	53	41.3

B

B

UNLESS OTHERWISE SPECIFIED:
DIMENSIONS ARE IN MILLIMETERS

STANDARDS:

EN 61386.01

DO NOT SCALE DRAWING

SCALE:1:1

COLOR:

YELLOW RAL 1023

PRODUCT NAME

SURFACE FINISH:

MATERIAL:

PO blend

TOLERANCES:

RoHS Regulation

Applied

SUPERSOL® PLUS CLIP

LINEAR: 1%

ANGULAR: 1%

COMMENTS:

DWG NO.

4045-M-1

A

A

DATE

28/06/2023

The rights of KOUVIDIS intellectual property upon this document are protected by Greek and European law against their use, usurpation, reproduction, trade, alteration, transmission, copy, transfer, distribution, re-publication by third parties and by any means of reason without the express prior written consent or authorization of KOUVIDIS. KOUVIDIS reserves all legal rights against anyone violating its rights as same have been explicitly mentioned above.

SHEET 1 OF 1

A4

4

3

2

1